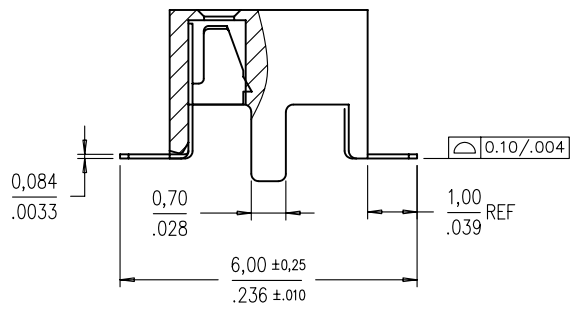
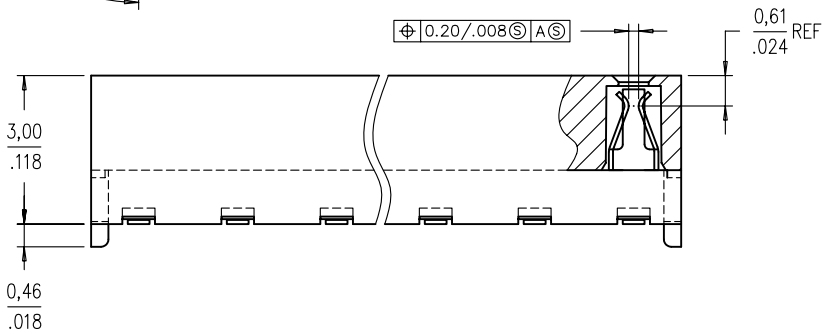
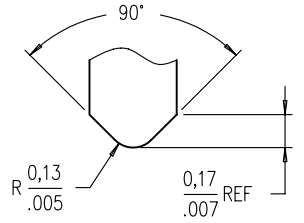
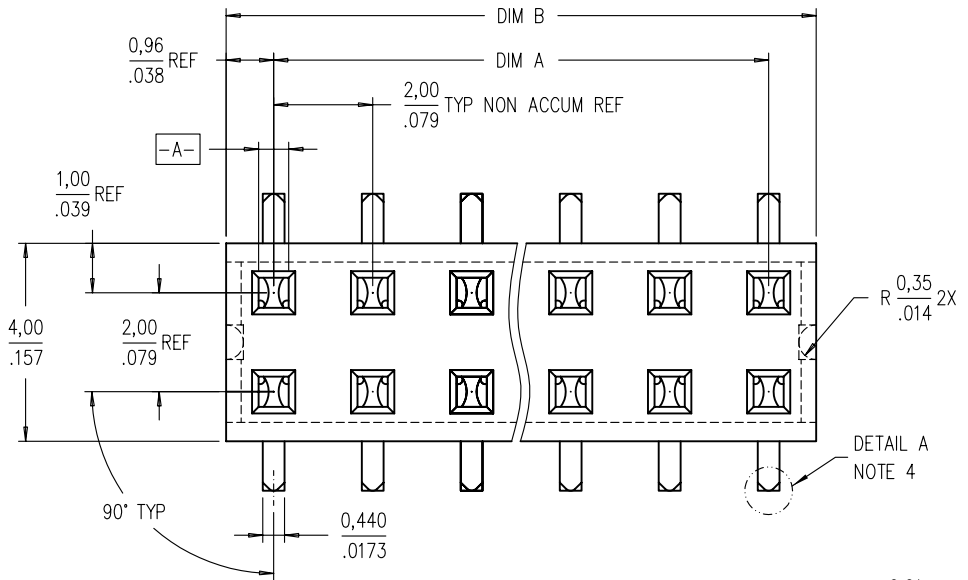


Tous droits strictement reserves. Reproduction ou communication a des tiers interdite sous quelque forme que ce soit sans autorisation ecrite du proprietaire. Propriete de c FCI. Droits de reproduction FCI.



All rights strictly reserved. Reproduction or issue to third parties in any form whatever is not permitted without written authority from the proprietor. Property of FCI. Copyright FCI.



CONFIDENTIAL

mat'l. code				tolerances unless otherwise specified		CUSTOMER COPY	FCI <a href="http://www.fciconnect.com">www.fciconnect.com</a>	
ltr	ecn no	dr	date	linear	X.X±0.3/.XX±.01		projection	title
K	S40325	BSL	12/20/94	linear	X.XX±0.13/.XXX±.005	MM/INCH		LOW PROFILE VCC SMT 3.00 ASSY WITH 0.46/.018 LOCATING FEATURES
L	S80115	BSL	5/14/98	angles	X.XXX±0.051/.XXX±.0020		scale	product family
M	V94400	BSL	12/1/99	angles	ANGLES ±2°	10:1		LPVCC
N	S05-0064	KBM	3/1/05	dr	BS LOW 1/6/00		size	dwg no
				engr	BS LOW 1/6/00	A	92911	1 of 2
				chr	KB MAH 3/1/05			
				appd	JOEY NG 3/1/05			
sheet index	revision sheet	N	N					
		1	2					

cage code 22526

ACAD

PDM: Rev:N

STATUS: Released

Printed: Feb 01, 2007

Tous droits strictement reserves. Reproduction ou communication a des tiers interdite sous quelque forme que ce soit sans autorisation ecrite du proprietaire. Propriete de c FCI. Droits de reproduction FCI.



All rights strictly reserved. Reproduction or issue to third parties in any form whatever is not permitted without written authority from the proprietor. Property of FCI. Copyright FCI.

PRODUCT NO	POSITIONS	DIM. A	DIM. B
92911-X04	2 X 2	2,00/,079	3,92/,154
-X06	2 X 3	4,00/,158	5,92/,233
-X08	2 X 4	6,00/,236	7,92/,312
-X10	2 X 5	8,00/,315	9,92/,391
-X12	2 X 6	10,00/,394	11,92/,469
-X14	2 X 7	12,00/,472	13,92/,548
-X16	2 X 8	14,00/,551	15,92/,627
-X18	2 X 9	16,00/,630	17,92/,706
-X20	2 X 10	18,00/,709	19,92/,784
-X22	2 X 11	20,00/,787	21,92/,863
-X24	2 X 12	22,00/,866	23,92/,942
-X26	2 X 13	24,00/,945	25,92/,1,020
-X28	2 X 14	26,00/,1,024	27,92/,1,099
-X30	2 X 15	28,00/,1,102	29,92/,1,178

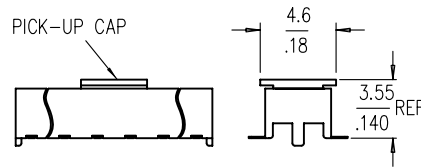
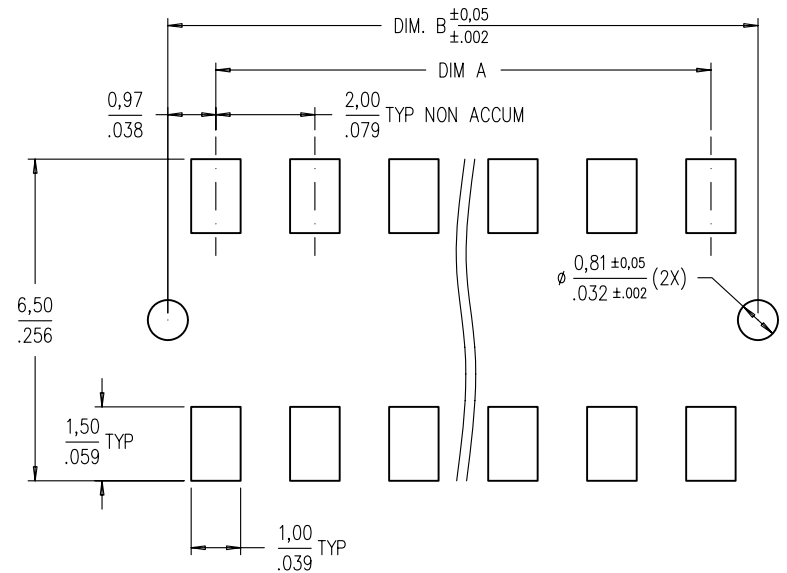


FIG. 1  
NOTE 7 (b) & (d)

PLATING OPTIONS OVER CONTACT AREA
0 = 0,2u/8u" Au
1 = 0,76u/30u" Au
3 = 0,38u/15u" Au



RECOMMENDED PAD LAYOUT

NOTES :

- HOUSING MAT'L : HIGH TEMP PLASTIC.
- TERMINAL MAT'L : BeCu.
- TERMINAL RETENTION 0,5 Kg/1,1 Lbs.
- 'V' CUT OPTIONAL - MANUFACTURING PROCESS OPTION.
- SOLDER TAILS PLATING:
  - SOLDERTAIL OF P/N:92911-XXX IS TIN/LEAD PLATED.
  - SOLDERTAIL OF P/N:92911-XXXLF IS 100% MATTE TIN PLATED.
- PRODUCT DESCRIPTION CODE :  
 XXXXX-X XXLF  
 LEAD FREE (5b)(9)  
 TOTAL POSITIONS  
 CONTACT AREA PLATING  
 BASE NUMBER
- PACKAGING :
  - XXXXX-XXX --- STD PACKAGING IN TUBE.
  - XXXXX-XXXTR --- TAPE AND REEL (CONDUCTIVE) PACKAGING WITH PICK-UP CAP (SEE FIG 1).
  - XXXXX-XXXTRN --- TAPE AND REEL (CONDUCTIVE) PACKAGING WITHOUT PICK-UP CAP.
  - XXXXX-XXXCR --- TAPE AND REEL (NON-CONDUCTIVE) PACKAGING WITH PICK-UP CAP (SEE FIG 1).
  - XXXXX-XXXCRN --- TAPE AND REEL (NON-CONDUCTIVE) PACKAGING WITHOUT PICK-UP CAP.
- THE HOUSING WILL WITHSTAND EXPOSURE TO 255° C PEAK TEMPERATURE FOR 10 SECONDS IN A CONVECTION, INFRA-RED OR VAPOR PHASE REFLOW OVEN.
- THIS PRODUCT MEETS EUROPEAN UNION DIRECTIVES AND OTHER COUNTRY REGULATIONS AS DESCRIBED IN GS-22-008.

CONFIDENTIAL

mat'l. code				tolerances unless otherwise specified		CUSTOMER COPY		FCI www.fciconnect.com		
ltr	ecn no	dr	date	linear	X.X±0.3/.XX±.01	projection	title			
N					X.XX±0.13/.XXX±.005		LOW PROFILE VCC SMT 3.00 ASSY			
				angles	X.XXX±0.051/.XXX±.0020		WITH 0.46/.018 LOCATING FEATURES			
				dr	BS LOW	1/6/00	MM/INCH	product family	LPVCC	code
				engr	BS LOW	1/6/00	←	size	dwg no	-
				chr	KB MAH	3/1/05	scale	92911		sheet
				appd	JOEY NG	3/1/05	2:1	A		2 of 2
sheet index	revision sheet									

cage code 22526

PDM: Rev:N

STATUS: Released

Printed: Feb 01, 2007

ACAD